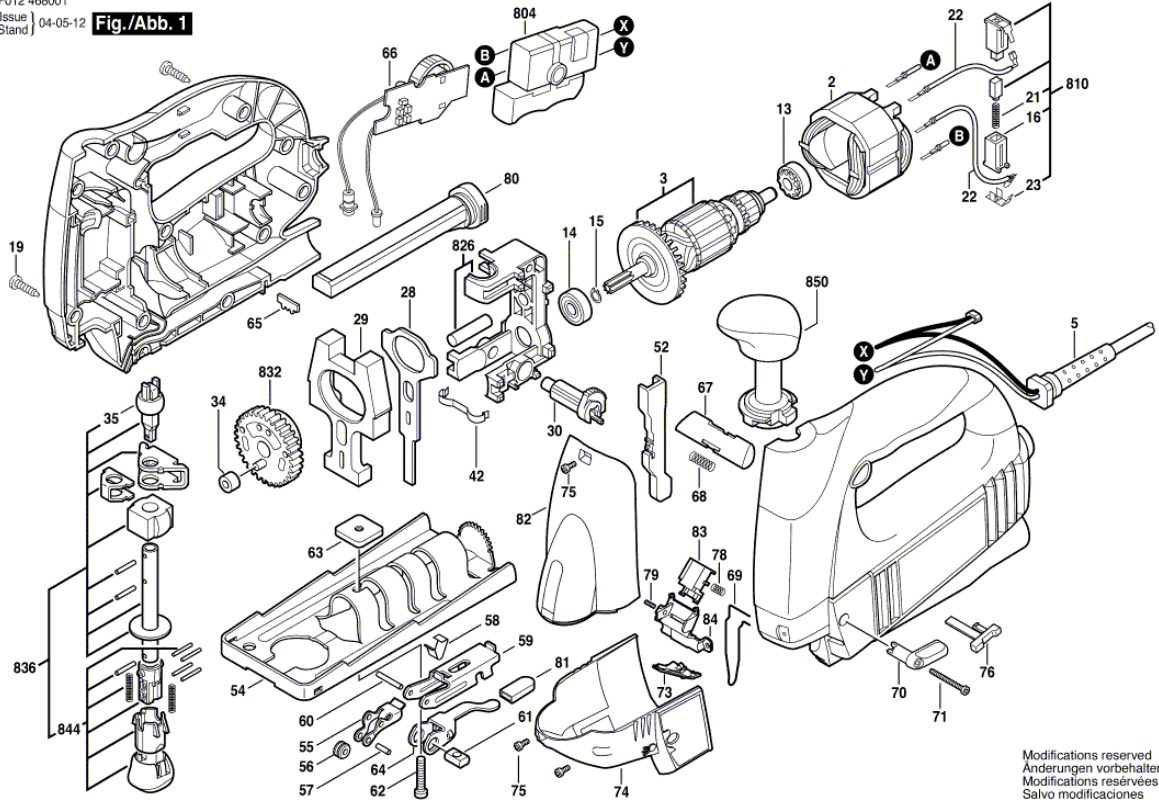




**F 012 468 001**  
**JIG SAW 4680**

20.09.2006  
23:45:38

F012 468001  
Issue | 04-05-12 | **Fig./Abb. 1**  
Stand |



Modifications reserved  
Änderungen vorbehalten  
Modifications réservées  
Salvo modificaciones

Item	Quantity	Order No.	Designation	Price group	Page
2	1	1 619 P00 990	FIELD \ 120V		1
3	1	1 619 P00 986	ARMATURE \ 120V		1
5	1	2 610 916 910	MAINS CONNECTION CABLE		1
13	1	2 610 967 219	BUSHING		1
14	1	2 610 917 489	DEEP-GROOVE BALL BEARING		1
15	1	2 610 018 632	RETAINING RING		1
16	2	2 610 320 548	CARBON BRUSH HOLDER		1
19	12	2 603 490 022	TORX OVAL-HEAD SCREW		1
21	2	2 610 329 898	SPRING		1
22	2	2 610 968 496	MAINS CONNECTION CABLE \ 40 MM		1
23	2	2 610 329 896	TERMINAL		1
28	1	2 610 914 014	SLIDE		1
29	1	2 610 913 999	COUNTER WEIGHT		1
30	1	2 610 914 016	SPARE PART		1
34	1	2 610 914 010	SINTERED-METAL BUSHING		1
35	1	2 610 914 007	SINTERED-METAL BUSHING		1
42	1	2 610 914 011	SPRING CLIP		1
52	1	2 610 914 015	SPARE PART		1
54	1	2 610 916 603	SPARE PART		1
55	1	2 610 914 018	BRACKET		1
56	1	2 610 914 884	GUIDE ROLLER		1
57	1	2 610 913 996	COILED SPRING PIN		1
58	2	2 610 914 020	LEAF SPRING		1
59	1	2 610 914 019	HOLDER PLATE		1
60	1	2 610 914 022	SLOTTED SPRING PIN		1
61	1	2 610 913 993	JOURNAL		1
62	1	2 610 913 994	BOLT		1
63	1	2 610 913 995	NUT		1
64	1	2 610 913 992	LEVER		1
65	1	2 610 917 358	LOCKING PIECE		1
66	1	2 610 922 310	CONTROL SWITCH		1
67	1	2 610 913 986	SIA-INTERLOCK SWITCH LOCK		1
68	1	2 610 390 329	SPRING		1
69	1	2 610 912 487	PROTECTION GUARD		1
70	1	2 610 914 017	LEVER		1
71	1	2 603 490 019	TORX OVAL-HEAD SCREW		1
73	1	2 610 922 316	LENS		1
74	1	2 610 922 317	DECORATIVE COVER		1
75	3	2 603 490 017	TORX OVAL-HEAD SCREW		1
76	1	2 610 913 988	SPARE PART		1
78	1	2 610 018 199	SPRING		1
79	1	2 918 150 120	HEADLESS SCREW		1
80	1	2 610 915 110	COVER		1
81	1	2 610 917 102	PROTECTIVE CAP		1
82	1	2 610 922 521	COVER		1
83	1	2 610 922 519	HOLDER		1
84	1	2 610 922 520	HOLDING BRACKET		1
804	1	2 610 924 016	SWITCH		1
810	1	2 610 917 266	CARBON-BRUSH SET		1
826	1	2 610 917 218	BEARING HOUSING		1
832	1	2 610 917 219	GEAR		1

836	1	2 610 917 220	PLUNGER BAR	1
844	1	2 610 917 221	BLADE HOLDER	1
850	1	2 610 917 222	KNOB	1

